

NEW ALUPRES

Marine-grade
Aluminium



ELECTRICAL SYSTEMS

Palazzoli

NEW ALUPRES

The new ALUPRES range reduces wiring times and allows to build panel boards from 16A to 630A.



SIMPLE

Ease of wiring



MODULAR

Single module for socket and box



HIGH AMPERAGES

Up to 630A



HIGH-PERFORMANCE

Lasts over 50 years

Products of the Alupres range are made of Marine-grade Aluminium that is 3 times more resistant to corrosion than aluminium normally used





Easy to assemble

The seat of the screws is perpendicular to the screwdriver

High visibility

The new knob lets you identify from a distance the status of the switch

Fireproof

Aluminium does not spread fire and does not generate any harmful emissions

Rustproof

The low copper content Marine-grade Aluminium used by Palazzoli is both light and extremely resistant. This feature coupled with the galvanic treatment and anti-ageing gaskets, make ALUPRES the perfect range to withstand all chemical and atmospheric agents as well as sudden changes in temperature



NEW ALUPRES

Remote control

The switch is designed for two remote signalling auxiliary contacts

Maximum performance

The heart of ALUPRES is an AC3-AC23A rated current switch disconnecter that allows safe operation even with highly inductive loads (cutters, drills, pressure washers, etc.)

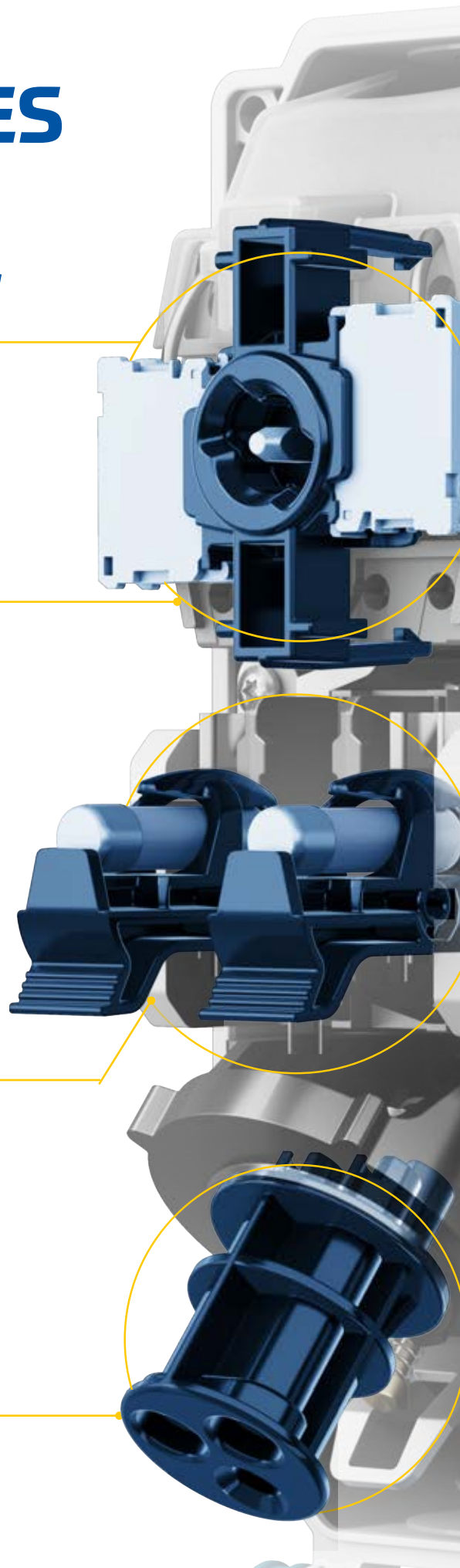
AC-3 = Squirrel cage motors, starting and stopping motors such as lifts, pumps, mixers, compressors
AC-23A = Switching of motors or other highly inductive loads such as machine tools

Safety first

The ceramic fuse holder base resists high temperatures (up to 1,400 °C) generated in the event of circuit failures. Lever-operated cylindrical fuses allow for quick safe replacement

Long-lasting

Heavy-duty socket insert (GWT 960 °C - V0), integrated into the screwless body, allows over 50,000 plug insertions



NEW ALUPRES

Easy to power

Thanks to the large upper window and flanges with cable gland



Triple safety

Using three padlocks means maintenance can be carried out in complete safety

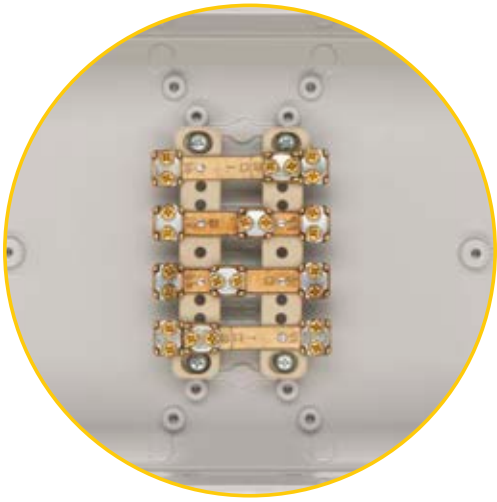
Shape-retaining

The high performance of ALUPRES is guaranteed even with temperature ranges from -50°C to + 60°C

Long-lasting

ALUPRES lasts over 50 years without maintenance, making it a much better choice than any other socket

Spacious and accessible Boxes



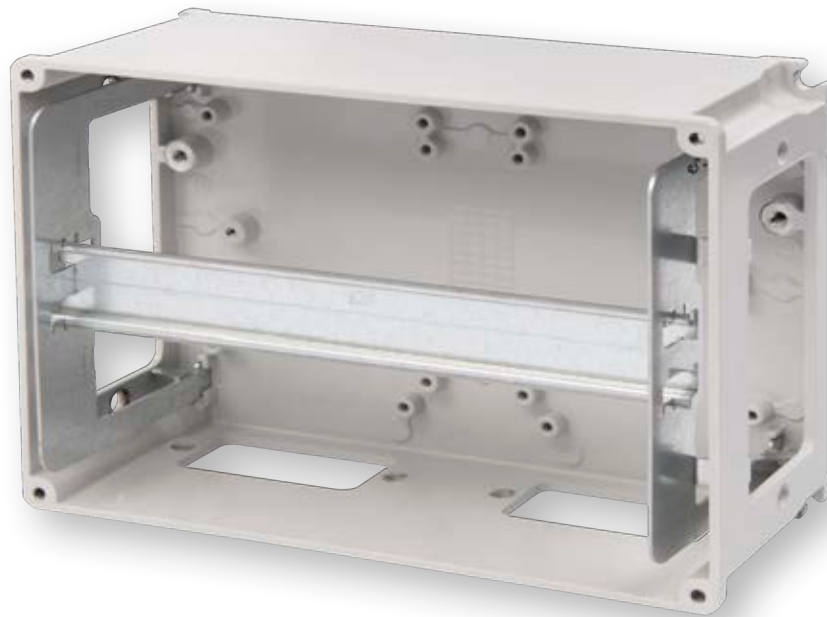
Direct installation

of terminal boards,
DIN rails
and metal plates
on the base
of the box



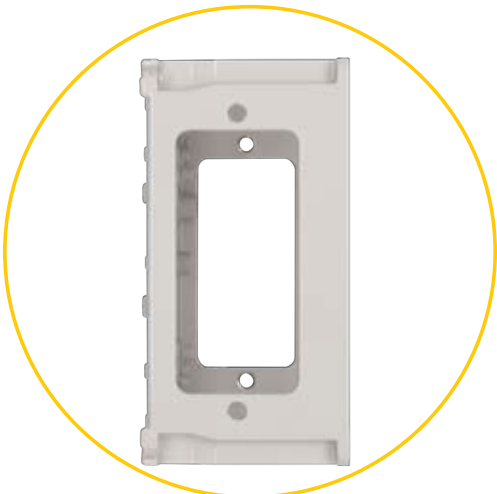
Ease of wiring

from the
side openings
and the
high position
of the DIN rail



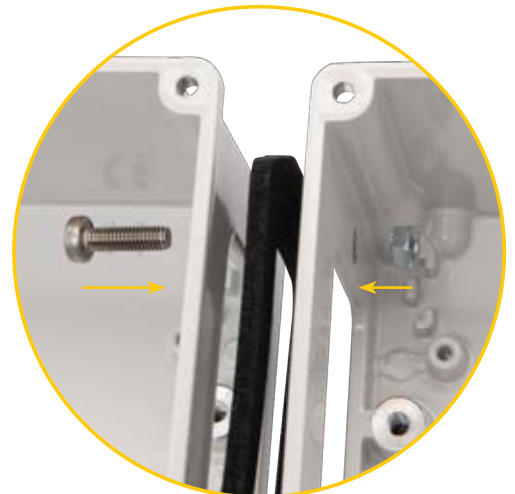
Quick assembly

with snap-on
of the screw-free
frame



Practical side placement

from the windows
with quick-joining
screws and nuts





NEW ALUPRES series

Marine-grade Aluminium interlocked sockets

DESCRIPTION:

The new ALUPRES series of low voltage interlocked switched industrial sockets are a range of Marine-grade Aluminium products for heavy-duty applications, complying with IEC/EN 60309-1, IEC/EN 60309-2 and IEC/EN 60309-4 standards. The system includes versions from 16A to 125A, with fuses, with direct connection, with thermal magnetic circuit breaker (MCB), with DIN rail accessorized and with electrical interlock. The sockets offer a degree of protection up to IP69 and can be combined together in assemblies using the special high capacity blind or transparent boxes. Versions above 32A are equipped with Easy Contact sleeves to allow maximum contact performance over time and make connection and disconnection operations easy. The protections, the fuses housed in ceramic bases and MCBs fixed on the rail, are secured to the base of the socket, accessible by opening the front cover. The casing receives an ecological passivation treatment with fluorozirconate coating and painting with non toxic hot-cured polyester powder. The interlocking system is made with a steel bracket and the switch disconnecter is certified in category AC3-AC23A at rated current.

RATED OPERATIONAL CURRENTS:

			16A	32A	63A	125A
Corrente termica Ith		A	16	32	63	125
AC21A	415V	A	16	32	63	125
	500V					
AC22A	415V	A	16	32	63	125
	500V					
AC23A	230V	A	16	32	63	100
	400V					
	500V					
AC23A	230V	kW	5,1	10,2	20	32
	400V		8,9	17,7	34	55
	500V		11,1	22,2	43	69
AC3	230V	kW	5,1	10,2	15	25
	400V		8,9	17,7	27	44
	500V		11,1	22,2	47	55

WIRING DATA:

		16A	32A	63A	125A
Entry cable sections	mm ²	1 - 10	6 - 16	16 - 70	
Tightening torque	Nm	2	3	4	

TECHNICAL DATA SHEET:

Compliance with standards	IEC/EN 60309-1 IEC/EN 60309-2 IEC/EN 60309-4 IEC/EN 60947-3
Material	Marine-grade Aluminium with low copper content (EN 44300)
Protection rating (IP as per IEC/EN 60529)	IP66/IP67/IP69* *IP69 guaranteed with X-CEE plugs
Colour	RAL5012 (cover) RAL7035 (base)
Surface treatment	Fluorozirconate passivation
Paint	Hot-polymerised non-toxic polyester
Corrosion class	C4
Impact resistance (IK rating according to IEC/EN 62262)	IK10
Rated current	16A - 32A - 63A - 125A
Operating voltage	24V - 690V
Operating frequency	50-60Hz
Insulation voltage	690V
Insulation class	I
Storage temperature	-50°C - +70°C
Operating temperature	-50°C - +50°C -50°C - +70°C (direct)

PROTECTION RATINGS:

IP6X	protected against access to dangerous parts and totally protected against dust
IPX6	protected against powerful water jets
IPX7	protected against the effects of temporary immersion (1 m - 30 min)
IPX9	protected against high temperature and high pressure jets



RESISTANCE TO CHEMICAL AGENTS

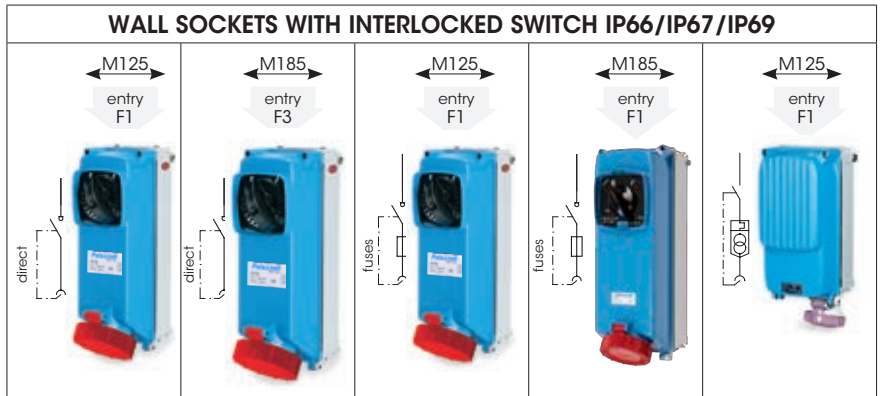
WATER	SALINE SOLUTION	ACIDS		BASES		SOLVENTS			
		CONCENTRATED	DILUTED	CONCENTRATED	DILUTED	ALCOHOL	ACETONE	PERCHLOROETHYLENE	BENZENE
↑	↑	↓	→	→	↑	↑	↑	↑	↑
OILS		FATS		AMMONIA	OXIDISERS	INORGANIC SALTS	GASOLINE	DETERGENTS	UV RADIATION
MINERAL	VEGETABLE	ANIMAL	SYNTHETIC						
↑	↑	↑	↑	↑	→	↑	↑	↑	↑

Legend: ↑ high resistance → partial resistance ↓ low resistance

Guide to creating panel boards NEW ALUPRES from 16A to 125A

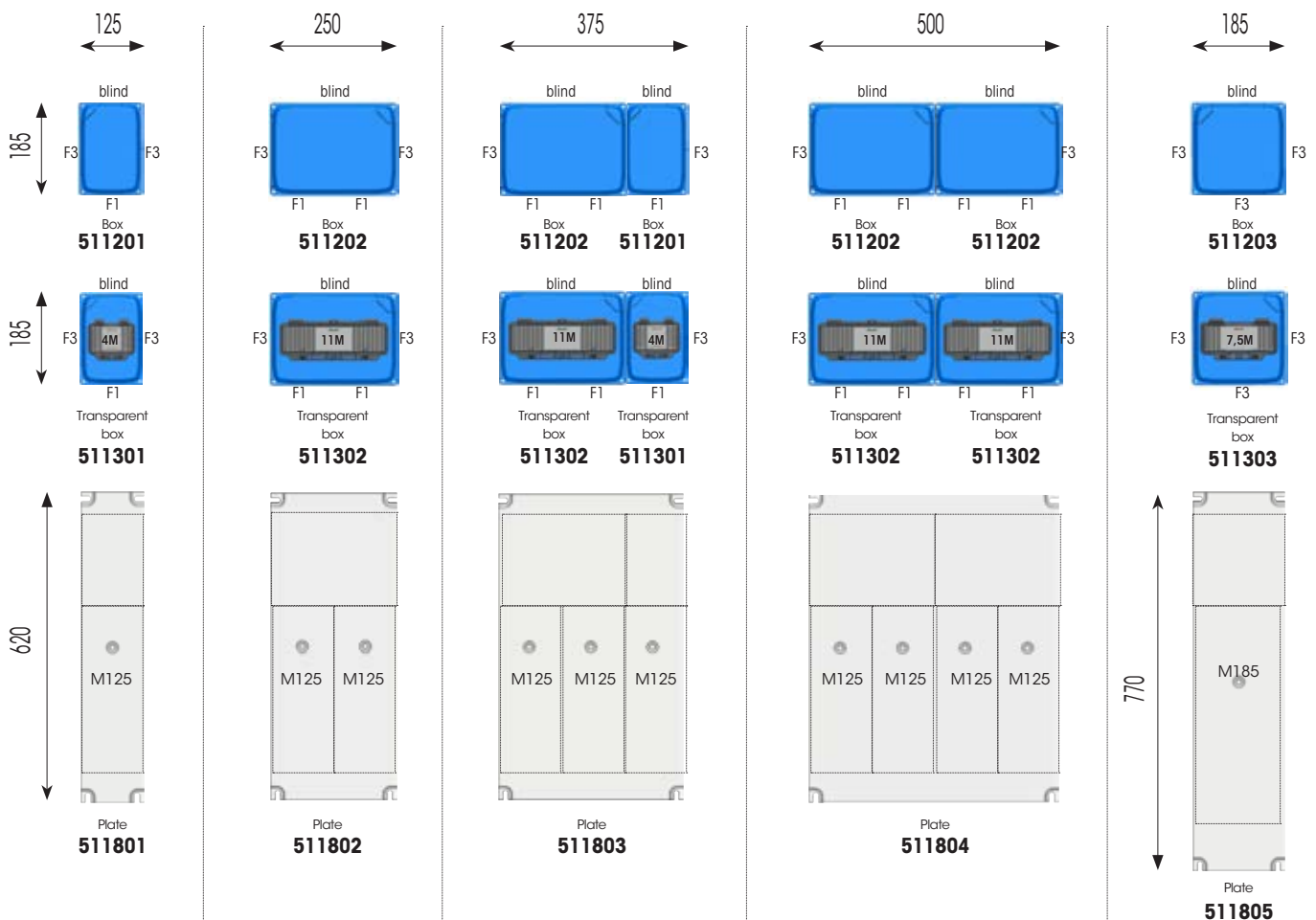
Cylindrical fuses	
Current	Type of fuses
16A	10x38
32A	14x51
63A	22x58
125A	NH00

Flat closing flange	
For windows	Code
F3	540033



16A	230V	2P+⊕	●	466126	475126	
	400V	3P+⊕	●	466136	475136	
	400V	3P+N+⊕	●	466146	475146	
32A	230V	2P+⊕	●	460226	472336	
	400V	3P+⊕	●	460236	472446	
	400V	3P+N+⊕	●	460246	472456	
63A	400V	3P+⊕	●	460336	472447	
	400V	3P+N+⊕	●	460346	472457	
125A	400V	3P+⊕	●	460436	472418	
	400V	3P+N+⊕	●	460446	472428	
16A	24V	2P 150 VA	●			471812

The compositions



ALUPRES allows to make assemblies up to 630A. The wide range of accessories (base plates, DIN rails, ceramic terminal blocks, flanges, etc) offers great versatility in the solutions that can be built.

NEW ALUPRES socket-outlets

MODULE 125



Interlocked wall sockets in Marine-grade Aluminium with **fuse protection** IP66/IP67/IP69

Rated current (A)	Frequency	Rated voltage (V)	Voltage colour	Poles	h ref. (h)	Palazzoli code	Pack Qty	
16 entry F1 fuses 10x38	50-60Hz	110V	Yellow	2P+⊕	4	475124	1	
	50-60Hz	110V	Yellow	3P+⊕	4	475134	1	
	50-60Hz	110V	Yellow	3P+N+⊕	4	475144	1	
	50-60Hz	230V	Blue	2P+⊕	6	475126	1	
	50-60Hz	230V	Blue	3P+⊕	9	475139	1	
	50-60Hz	230V	Blue	3P+N+⊕	9	475149	1	
	50-60Hz	400V	Red	2P+⊕	9	475129	1	
	50-60Hz	400V	Red	3P+⊕	6	475136	1	
	50-60Hz	400V	Red	3P+N+⊕	6	475146	1	
	50-60Hz	500V	Black	3P+⊕	7	475137	1	
	50-60Hz	500V	Black	3P+N+⊕	7	475147	1	
	60Hz	440÷460V	Red	3P+⊕	11	475131	1	
	60Hz	440-460V	Red	3P+N+⊕	11	475141	1	
	CC	>50÷250V	Grey	2P+⊕	3	475123	1	
	32 entry F1 fuses 14x51	50-60Hz	110V	Yellow	2P+⊕	4	472236	1
		50-60Hz	110V	Yellow	3P+⊕	4	472246	1
50-60Hz		110V	Yellow	3P+N+⊕	4	472256	1	
50-60Hz		230V	Blue	2P+⊕	6	472336	1	
50-60Hz		230V	Blue	3P+⊕	9	472346	1	
50-60Hz		230V	Blue	3P+N+⊕	9	472356	1	
50-60Hz		400V	Red	2P+⊕	9	472436	1	
50-60Hz		400V	Red	3P+⊕	6	472446	1	
50-60Hz		400V	Red	3P+N+⊕	6	472456	1	
50-60Hz		500V	Black	3P+⊕	7	472546	1	
50-60Hz		500V	Black	3P+N+⊕	7	472556	1	
60Hz		440÷460V	Red	3P+⊕	11	472466	1	
60Hz		440-460V	Red	3P+N+⊕	11	472536	1	
50/60Hz		380/440V	Red	3P+⊕	3	472486	1	
50-60Hz		110V	Yellow	2P+⊕	4	472237	1	
63 entry F1 fuses 22x58		50-60Hz	110V	Yellow	3P+⊕	4	472247	1
	50-60Hz	110V	Yellow	3P+N+⊕	4	472257	1	
	50-60Hz	230V	Blue	2P+⊕	6	472337	1	
	50-60Hz	230V	Blue	3P+⊕	9	472347	1	
	50-60Hz	230V	Blue	3P+N+⊕	9	472357	1	
	50-60Hz	400V	Red	2P+⊕	9	472437	1	
	50-60Hz	400V	Red	3P+⊕	6	472447	1	
	50-60Hz	400V	Red	3P+N+⊕	6	472457	1	
	50-60Hz	500V	Black	3P+⊕	7	472547	1	
	50-60Hz	500V	Black	3P+N+⊕	7	472557	1	
	60Hz	440÷460V	Red	3P+⊕	11	472387	1	
	60Hz	440-460V	Red	3P+N+⊕	11	472397	1	
	CC	>50÷250V	Grey	2P+⊕	3	472377	1	

Features: the handle can be locked with 3 padlocks with a max. shackle width of 8mm.

Fuses not supplied.

Notes: special configurations on request.

Flanges:



MODULE 185



Interlocked wall sockets in Marine-grade Aluminium with **fuse protection** IP66/IP67/IP69

Rated current (A)	Frequency	Rated voltage (V)	Voltage colour	Poles	h ref. (h)	Palazzoli code	Pack Qty
125 entry F3 fuses NH00	50-60Hz	110V	Yellow	3P+⊕	4	472248	1
	50-60Hz	110V	Yellow	3P+N+⊕	4	472258	1
	50-60Hz	230V	Blue	3P+⊕	9	472348	1
	50-60Hz	230V	Blue	3P+N+⊕	9	472358	1
	50-60Hz	400V	Red	3P+⊕	6	472418	1
	50-60Hz	400V	Red	3P+N+⊕	6	472428	1
	50-60Hz	500V	Black	3P+⊕	7	472518	1
	50-60Hz	500V	Black	3P+N+⊕	7	472528	1
	60Hz	440÷460V	Red	3P+⊕	11	472388	1
	60Hz	440-460V	Red	3P+N+⊕	11	472398	1

Features: padlockable knob. Fuses not supplied.

Notes: special configurations on request.

MODULE 125 -185 (125A)



Interlocked wall sockets in Marine-grade Aluminium and **DIN rail** IP66/IP67/IP69

Rated current (A)	Frequency	Rated voltage (V)	Voltage colour	Poles	h ref. (h)	Palazzoli code	Pack Qty
16 entry F1 4 modules	50-60Hz	230V	Blue	2P+⊕	6	472623	1
	50-60Hz	400V	Red	3P+⊕	6	472733	1
	50-60Hz	400V	Red	3P+N+⊕	6	472843	1
32 entry F1 4 modules	50-60Hz	230V	Blue	2P+⊕	6	472624	1
	50-60Hz	400V	Red	3P+⊕	6	472734	1
	50/60Hz	380/440V	Red	3P+⊕	3	472735	1
63 entry F1 4 modules	50-60Hz	230V	Blue	2P+⊕	6	472027	1
	50-60Hz	400V	Red	3P+⊕	6	472137	1
	50-60Hz	400V	Red	3P+N+⊕	6	472647	1
125 entry F3 6.5 modules	50-60Hz	400V	Red	3P+⊕	6	472648	1
	50-60Hz	400V	Red	3P+N+⊕	6	472649	1

Equipment included: all sockets are pre-wired up to the DIN rail.

Features: the handle can be locked with 3 padlocks with a max. shackle width of 8mm.

Notes: special configurations on request.

Flanges:



NEW ALUPRES socket-outlets

MODULE 125



Interlocked wall sockets in Marine-grade Aluminium with **direct connection** IP66/IP67/IP69

Rated current (A)	Frequency	Rated voltage (V)	Voltage colour	Poles	h ref. (h)	Palazzoli code	Pack Qty	
16 entry F1	50-60Hz	110V	●	2P+⊕	4	466124	1	
	50-60Hz	110V	●	3P+⊕	4	466134	1	
	50-60Hz	110V	●	3P+N+⊕	4	466144	1	
	50-60Hz	230V	●	2P+⊕	6	466126	1	
	50-60Hz	230V	●	3P+⊕	9	466139	1	
	50-60Hz	230V	●	3P+N+⊕	9	466149	1	
	50-60Hz	400V	●	2P+⊕	9	466129	1	
	50-60Hz	400V	●	3P+⊕	6	466136	1	
	50-60Hz	400V	●	3P+N+⊕	6	466146	1	
	50-60Hz	500V	●	3P+⊕	7	466137	1	
	50-60Hz	500V	●	3P+N+⊕	7	466147	1	
	60Hz	440÷460V	●	3P+⊕	11	466131	1	
	60Hz	440-460V	●	3P+N+⊕	11	466141	1	
	CC	>50÷250V	●	2P+⊕	3	466123	1	
	32 entry F1	50-60Hz	110V	●	2P+⊕	4	460224	1
		50-60Hz	110V	●	3P+⊕	4	460234	1
50-60Hz		110V	●	3P+N+⊕	4	460244	1	
50-60Hz		230V	●	2P+⊕	6	460226	1	
50-60Hz		230V	●	3P+⊕	9	460239	1	
50-60Hz		230V	●	3P+N+⊕	9	460249	1	
50-60Hz		400V	●	2P+⊕	9	460229	1	
50-60Hz		400V	●	3P+⊕	6	460236	1	
50-60Hz		400V	●	3P+N+⊕	6	460246	1	
50-60Hz		500V	●	3P+⊕	7	460237	1	
50-60Hz		500V	●	3P+N+⊕	7	460247	1	
60Hz		440÷460V	●	3P+⊕	11	460231	1	
60Hz		440-460V	●	3P+N+⊕	11	460241	1	
50/60Hz		380/440V	●	3P+⊕	3	460233	1	
63 entry F1		50-60Hz	110V	●	2P+⊕	4	460324	1
		50-60Hz	110V	●	3P+⊕	4	460334	1
	50-60Hz	110V	●	3P+N+⊕	4	460344	1	
	50-60Hz	230V	●	2P+⊕	6	460326	1	
	50-60Hz	230V	●	3P+⊕	9	460339	1	
	50-60Hz	230V	●	3P+N+⊕	9	460349	1	
	50-60Hz	400V	●	2P+⊕	9	460329	1	
	50-60Hz	400V	●	3P+⊕	6	460336	1	
	50-60Hz	400V	●	3P+N+⊕	6	460346	1	
	50-60Hz	500V	●	3P+⊕	7	460337	1	
	50-60Hz	500V	●	3P+N+⊕	7	460347	1	
	60Hz	440÷460V	●	3P+⊕	11	460331	1	
	60Hz	440-460V	●	3P+N+⊕	11	460341	1	
	CC	>50÷250V	●	2P+⊕	3	460333	1	

Features: the handle can be locked with 3 padlocks with a max. shackle width of 8mm.
Notes: special configurations on request.

Flanges:



MODULE 185



Interlocked wall sockets in Marine-grade Aluminium with **direct connection** IP66/IP67/IP69

Rated current (A)	Frequency	Rated voltage (V)	Voltage colour	Poles	h ref. (h)	Palazzoli code	Pack Qty
125 entry F3	50-60Hz	110V	●	3P+⊕	4	460434	1
	50-60Hz	110V	●	3P+N+⊕	4	460444	1
	50-60Hz	230V	●	3P+⊕	9	460439	1
	50-60Hz	230V	●	3P+N+⊕	9	460449	1
	50-60Hz	400V	●	3P+⊕	6	460436	1
	50-60Hz	400V	●	3P+N+⊕	6	460446	1
	50-60Hz	500V	●	3P+⊕	7	460437	1
	50-60Hz	500V	●	3P+N+⊕	7	460447	1
	60Hz	440÷460V	●	3P+⊕	11	460431	1
	60Hz	440-460V	●	3P+N+⊕	11	460441	1

Features: padlockable knob.

Notes: special configurations on request.

Flanges:



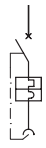
Auxiliary contact from 16A to 63A for ALUPRES socket switches

Rated current (A)	Switch type	Contact type	Palazzoli code	Pack Qty
10	16A-32A-63A	1 NC late-make	270326	1
		1 NC early-break	270327	1
		1 NC	270330	1
		1 NO	270331	1
		1 NO + 1 NC	270332	1

Features: code 270332 consisting of 2 contacts.

NEW ALUPRES sockets and switches

MODULE 125



Interlocked wall sockets in Marine-grade Aluminium with **MCB** protection IP66/IP67/IP69

Rated current (A)	Frequency	Rated voltage (V)	Voltage colour	Poles	h ref. (h)	Palazzoli code	Pack Qty
16 entry F1 Switch 4,5kA C curve	50-60Hz	110V	●	2P+⊕	4	474633	1
	50-60Hz	110V	●	3P+⊕	4	474643	1
	50-60Hz	110V	●	3P+N+⊕	4	474653	1
	50-60Hz	230V	●	2P+⊕	6	474733	1
	50-60Hz	230V	●	3P+⊕	9	474743	1
	50-60Hz	230V	●	3P+N+⊕	9	474753	1
	50-60Hz	400V	●	2P+⊕	9	474833	1
	50-60Hz	400V	●	3P+⊕	6	474843	1
	50-60Hz	400V	●	3P+N+⊕	6	474853	1
	60Hz	440-460V	●	3P+⊕	11	474863	1
60Hz	440-460V	●	3P+N+⊕	11	474133	1	
32 entry F1 Switch 6kA C curve	50-60Hz	110V	●	2P+⊕	4	474236	1
	50-60Hz	110V	●	3P+⊕	4	474246	1
	50-60Hz	110V	●	3P+N+⊕	4	474256	1
	50-60Hz	230V	●	2P+⊕	6	474336	1
	50-60Hz	230V	●	3P+⊕	9	474346	1
	50-60Hz	230V	●	3P+N+⊕	9	474356	1
	50-60Hz	400V	●	2P+⊕	9	474436	1
	50-60Hz	400V	●	3P+⊕	6	474446	1
	50-60Hz	400V	●	3P+N+⊕	6	474456	1
	60Hz	440-460V	●	3P+⊕	11	474466	1
60Hz	440-460V	●	3P+N+⊕	11	474536	1	
63 entry F1 Switch 10kA C curve	50/60Hz	380/440V	●	3P+⊕	3	474486	1
	50/60Hz	380-440V	●	3P+N+⊕	3	474586	1
	50-60Hz	110V	●	2P+⊕	4	474237	1
	50-60Hz	110V	●	3P+⊕	4	474247	1
	50-60Hz	110V	●	3P+N+⊕	4	474257	1
	50-60Hz	230V	●	2P+⊕	6	474337	1
	50-60Hz	230V	●	3P+⊕	9	474347	1
	50-60Hz	230V	●	3P+N+⊕	9	474357	1
	50-60Hz	400V	●	2P+⊕	9	474437	1
	50-60Hz	400V	●	3P+⊕	6	474447	1
50-60Hz	400V	●	3P+N+⊕	6	474457	1	
60Hz	440-460V	●	3P+⊕	11	474387	1	
60Hz	440-460V	●	3P+N+⊕	11	474397	1	

Features: the handle can be locked with 3 padlocks with a max. shackle width of 8mm. Voltage indicator light.
Notes: special configurations on request.

CHARACTERISTICS OF THERMAL MAGNETIC CIRCUIT BREAKER PROTECTION OF WALL SWITCHES

Feature	125-160A	250A	400A	630A
Rated insulation voltage Ui	800V	800V	1000V	1000V
Rated impulse withstand voltage Uimp	8kV	8kV	8kV	8kV
Switching power Icu (415V)	18kA	36kA	36kA	36kA
Switching power Icu (500V)	8kA	20kA	25kA	25kA
Mechanical life in cycles	25.000	25.000	2.0000	20.000
Electrical life at 415V in cycles	8.000	8.000	7.000	5.000
Overload protection adjustment x In	0,7÷1	0,7÷1	0,4÷1	0,4÷1
Short circuit protection	10 x In	10 x In	10 x In	10 x In
Neutral protection	50%	50%	50-100%	50-100%

MODULE 125



Wall sockets in Marine-grade Aluminium with **safety transformer** IP66/IP67/IP69 50-60Hz

Rated current (A)	Rated voltage (V)	Poles	Voltage (VA)	Palazzoli code	Pack Qty
16 entry F1	230/24V	2P	250	471812	1
	400/24V	2P	250	471832	1

Features: continuous duty class II safety transformer operated by the plug by means of a microswitch.

MODULE 250



Wall sockets in Marine-grade Aluminium with **safety transformer** IP66/IP67/IP69 50-60Hz

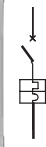
Rated current (A)	Rated voltage (V)	Poles	Voltage (VA)	Palazzoli code	Pack Qty
32 entry M25	230/48V~	2P	720	471818	1
	400/48V~	2P	720	471838	1

Equipment included: cable gland and M25 cap.

Features: continuous duty class II safety transformer operated by the plug by means of a microswitch. Socket prepared for coupling with window F4.

Notes: mounting plate to be made

MODULE 250



Thermal magnetic circuit breakers for wall mounting in Marine-grade Aluminium with windowed entries IP65

F5 output

Rated current (A)	Poles	Dimensions (mm)	Palazzoli code	Pack Qty
125 entry F4	4P	252 x 315 x 261	274412	1
160 entry F4	4P	252 x 315 x 261	274416	1
250 entry F4	4P	252 x 315 x 261	274425	1
400 entry 2xF3	4P	400 x 600 x 318	274440*	1
630 entry 2xF3	4P	500 x 900 x 318	274463*	1

* Painted galvanised steel boxes, with F3 side entries and blind upper entry.

Notes: the switch cannot be installed on the mounting plates provided in the system.

Flanges:



NEW ALUPRES accessories



Watertight **high capacity** boxes in Marine-grade Aluminium with **blind** cover IP66/IP67/IP69

External dimensions (mm)	Type finestre	Max. number of sockets that can be installed			Palazzoli code	Pack Qty
		Mod.125	Mod.185	Mod.250		
125x185		1	-	-	511201	1
250x185		2	-	-	511202	1
185x185		-	1	-	511203	1
250x185		-	-	1	511204	1

Flanges:



Watertight **high capacity** boxes in Marine-grade Aluminium with **transparent** window IP66/IP67/IP69

External dimensions (mm)	Type finestre	Max. number of sockets that can be installed			No. DIN modules	Palazzoli code	Pack Qty
		Mod.125	Mod.185	Mod.250			
125x185		1	-	-	4	511301	1
250x185		2	-	-	11	511302	1
185x185		-	1	-	7,5	511303	1
250x185		-	-	1	11	511304	1

Features: padlockable door with anti-tamper screw.

Flanges:



Mounting plates in painted steel for **high capacity** panel boards

Dimensions (mm)	No. mountable appliances	Mountable equipment module	Palazzoli code	Pack Qty
125x620	1	125	511801	1
250x620	2		511802	1
376x620	3		511803	1
500x620	4		511804	1
185x770	1	185	511805	1

Dotazioni: prepared with threaded holes, they are complete with stainless steel screws for fixing the appliances.



Branch terminal boards with saddle terminals for base plate 500V

Dimensions (mm)	No. poles per section	Palazzoli code	Pack Qty
70x101	4x16 mm ²	159040	10
78x101	3x25 mm ²	159032	1
92x128	4x25 mm ²	159042	5
86x128	3x35 mm ²	159033	5
102x150	4x35 mm ²	159043	1
100x150	3x70 mm ²	159034	1



DIN rails for **high capacity** boxes

For box dimensions (mm)	Useful rail length (mm)	Fastening at the bottom of the box	Palazzoli code	Pack Qty
125x185	60	horizontal	521009	1
185x185	125	horizontal / diagonal	521012	1
250x185	170	horizontal	521014	1

Features: screws for fixing to the boxes.

Notes: code 521012 can be fixed diagonally in all boxes.



Base plates in steel for **high capacity** boxes

For box dimensions (mm)	Plate dimensions (mm)	Palazzoli code	Pack Qty
125x185	83x145	532700	1
185x185	160x140	532701	1
250x185	208x145	532702	1

Uses: for fixing terminal boards or non-modular devices.

Guide to creating compact 16A panel boards

The compositions



Box
511227



Blind cover
515224



Transparent window
518206

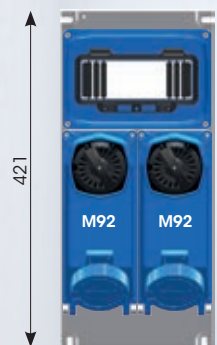


Plate
532826



The compact system's 16A fused sockets are only 9cm wide.

It is therefore possible to install small panel boards with 2 sockets on 20cm columns.

ALUPRES compact sockets

MODULE 92



Compact interlocked wall socket in aluminium alloy and **fuse holder base**
50-60Hz IP66/IP67/IP69

Rated current (A)	Rated voltage (V)	Voltage colour	Poles	h ref. (h)	Palazzoli code	Pack Qty
16 entry FO fuses E16 NDZ	110V	●	2P+⊕	4	472233	1
	110V	●	3P+⊕	4	472243	1
	110V	●	3P+N+⊕	4	472253	1
	230V	●	2P+⊕	6	472333	1
	230V	●	3P+⊕	9	472343	1
	230V	●	3P+N+⊕	9	472353	1
	400V	●	2P+⊕	9	472433	1
	400V	●	3P+⊕	6	472443	1
	400V	●	3P+N+⊕	6	472453	1

Features: the handle can be locked with 3 padlocks with a max. shackle width of 6mm. Fuses not supplied.

Auxiliary contact:



MODULE 92



Compact interlocked wall socket in aluminium alloy **with direct connection**
50-60Hz IP66/IP67/IP69

Rated current (A)	Rated voltage (V)	Voltage colour	Poles	h ref. (h)	Palazzoli code	Pack Qty
16 entry FO	230V	●	2P+⊕	6	460126	1
	400V	●	3P+⊕	6	460136	1
	400V	●	3P+N+⊕	6	460146	1

Features: the handle can be locked with 3 padlocks with a max. shackle width of 6mm.

Auxiliary contact:



Painted steel mounting plate for **compact** panels

Dimensions (mm)	No. mountable appliances	Mountable equipment module	Palazzoli code	Pack Qty
185x421	2	2x92	532826	1

Equipment included: prepared with threaded holes, they are complete with stainless steel screws for fixing the appliances.



Compact box in aluminium alloy with windowed walls IP67

External dimensions (mm)	Window type	Installable socket module	Palazzoli code	Pack Qty
185x125x63		92 + 92	511227	1

Equipment included: free windows with elastomer anti-aging gaskets and screws for the application of accessories or coupling with other boxes. Internal and external ground screws. Box with base plate

Notes: the box displayed in the table refers to the one to form compact socket panels.



High blind cover for **compact** box IP67

For box dimensions (mm)	Cover height (mm)	Palazzoli code	Pack Qty
185x125	50	515224	1

Equipment included: complete with anti-aging gasket and captive stainless steel fixing screws.



Cover with transparent window and DIN rail for **compact** box IP67

For box dimensions (mm)	No. DIN modules	Cover height (mm)	Door height (mm)	Palazzoli code	Pack Qty
185x125	6,5	50	30	518206	1

Equipment included: comes with anti-aging gasket and captive stainless steel fixing screws.

Features: inserted on the box, they allow the installation of modular devices. Padlockable door with anti-tamper screw.

Flanges



Flat blind flanges
in steel
for windowed walls
IP66/IP67/IP69

For windows	Projection (mm)	Palazzoli code	Pack Qty
F0	2,5	540090	5
F1	5,5	540091	5
F3	6	540033	2
F4	6	540034	2
F5	7	540035	2

Uses: they close unused windows. They can be drilled for cable gland use.



Raised blind flanges
in aluminium alloy
for windowed walls
IP66/IP67/IP69

For windows	Projection (mm)	Palazzoli code	Pack Qty
F1	32	540061	1
F3	50	540063	1
F4	50	540064	1
F5	80	540065	1

Uses: they close unused windows. They make cabling easier as they increase the internal volume of the container.



Flat flanges
in aluminium alloy
with metric threading
for windowed walls
IP66/IP67/IP69

For windows	Threading type	Projection (mm)	Palazzoli code	Pack Qty
F0	M25	18	541050	1
F1	M25	18	541055	1
F1	M32	51	540180	1
F3	M40	51	540190	1
F4	M40	51	540193	1
F5	M50	51	540195	1



One way junction box
in aluminium alloy
90° angled
for windowed walls
IP30

For windows	Projection (mm)	Inner hole ø (mm)	Palazzoli code	Pack Qty
F1	53	32	545081	1
F3	83	54	545083	1

Uses: suitable for the entry of non-threaded pipes or cables.

Notes: the degree of protection depends on the positioning of the junction boxes with respect to the source of the water and the installation measures adopted.

Contact and knob kits

NO. 2 UPDATE KITS FOR ALUPRES SOCKETS INSTALLED BEFORE 2021



Auxiliary contact assembly kit
for 16A and 32A sockets

For TAIS-ULYSSE ALUPRES sockets	Contact type 10A	Palazzoli code	Pack Qty
16A - 32A	NCD - NOA - NC NO - NO+NC	270335	1

Equipment included: kit consisting of protective cap, contact control cam and door lock.
Notes: auxiliary contacts not included.



Mounting kit for padlockable
knobs in 0 and 1 position
for sockets from 16A to 63A

For module sockets	Padlock max. shackle diameter	Palazzoli code	Pack Qty
M92	2 x 6 mm + 1 x 8 mm	538295	1
M125	3 x 8 mm	538225	1

Equipment included: kit consisting of escutcheon, knob, screw cover, screw and washer.
Notes: padlock not included.

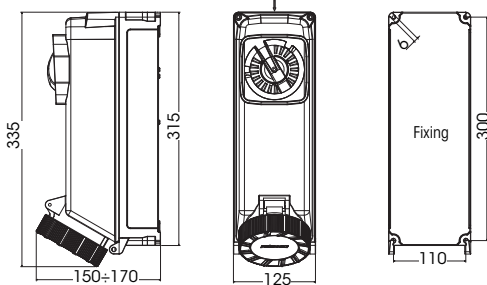


DIMENSIONS

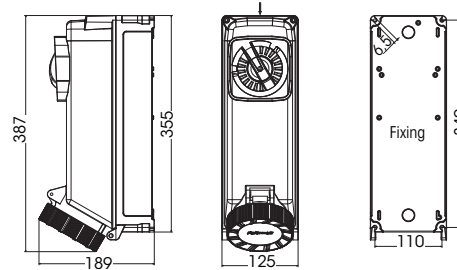
NEW ALUPRES series

Switched interlocked sockets with module 125

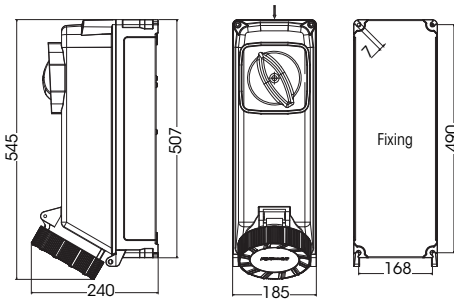
16A/32A



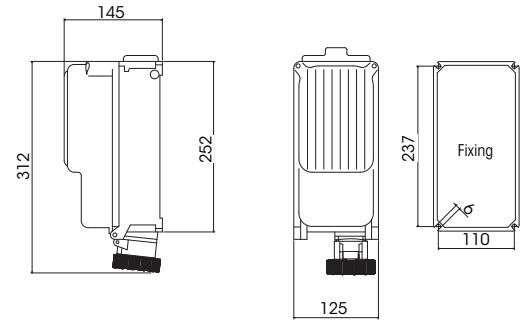
63A



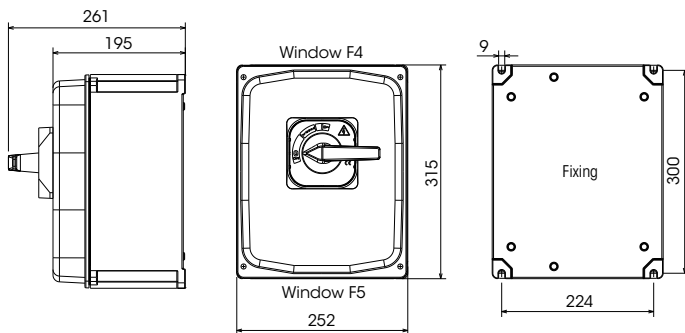
Switched interlocked sockets with module 185 - 125A



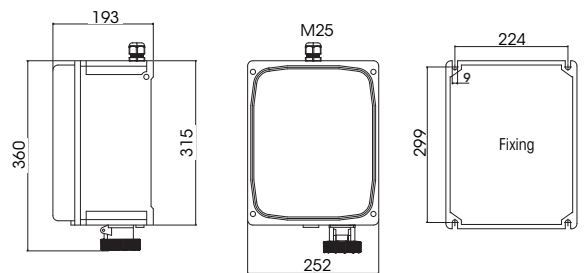
24V sockets with transformer



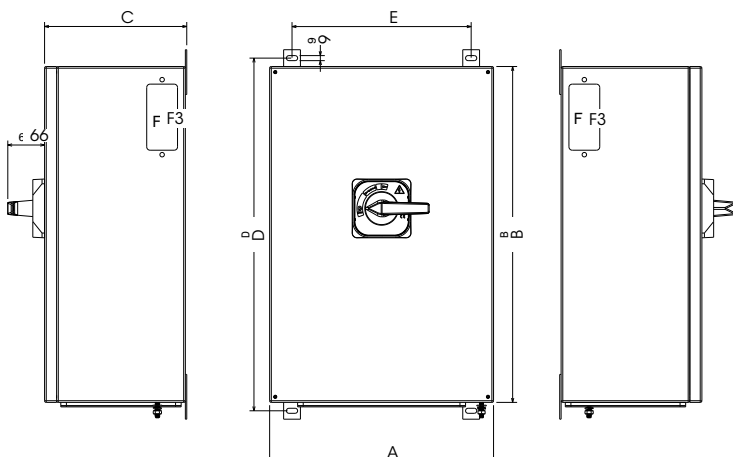
Switch module 250 - 125A/160A/250A



48V sockets with transformer



400A/630A switch



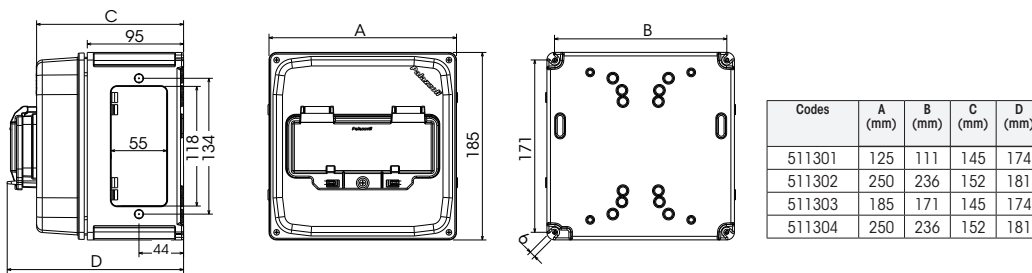
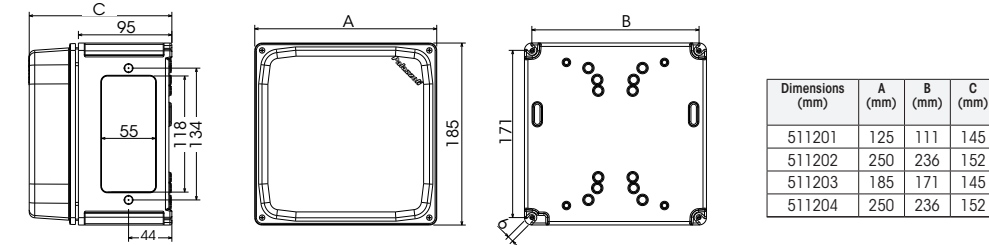
Codes	A (mm)	B (mm)	C (mm)	D (mm)	E (mm)
274440	400	600	252	630	320
274463	500	900	252	930	450



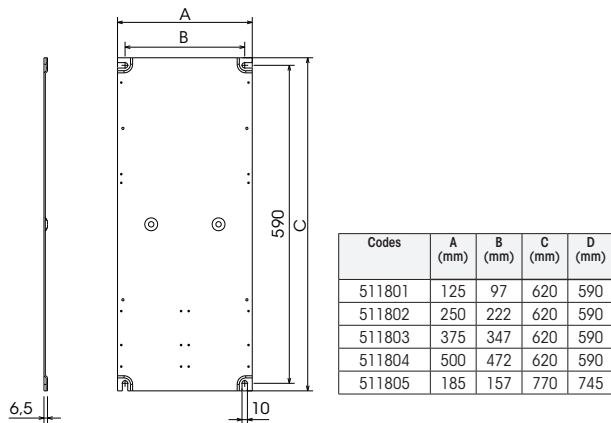
DIMENSIONS

NEW ALUPRES series

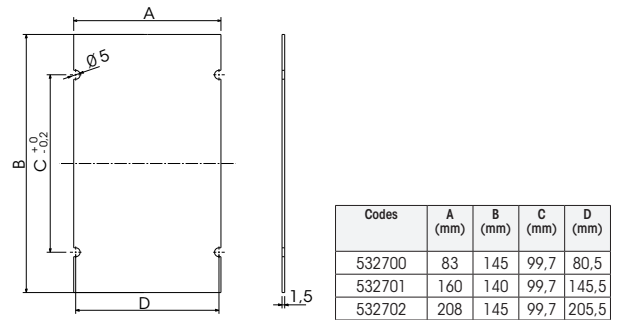
Boxes in aluminium alloy



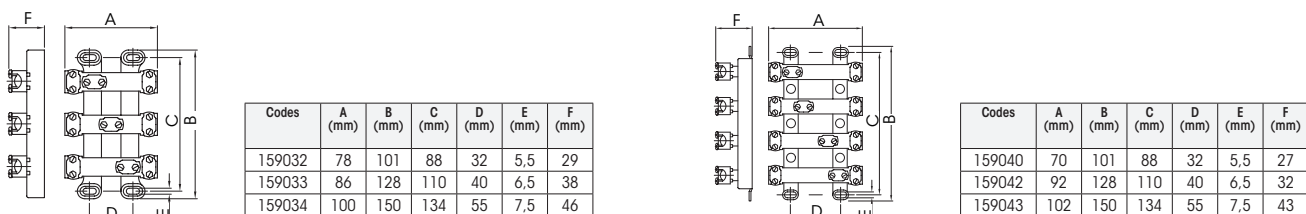
Mounting plates



Base plates



Terminal boards

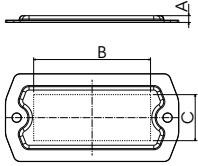




DIMENSIONS

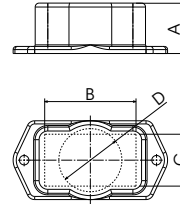
ALUPRES series

Flat flanges



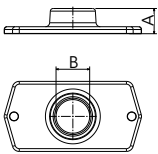
Codes	A (mm)	B (mm)	C (mm)
540030	5	32	20
540031	6	65	34
540090	2.5	30	14
540091	5.5	59	25
540033	6	106	49
540034	6	148	49
540035	7	142	80
540036	8	238	84

Raised flanges



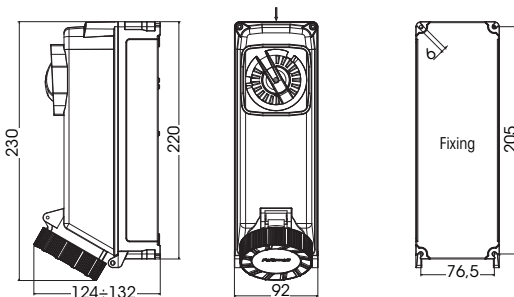
Codes	A (mm)	B (mm)	C (mm)	D (mm)
540061	32	60	30	35
540063	50	100	50	60
540064	50	140	50	60
540065	80	140	90	90

Flanges with metric thread

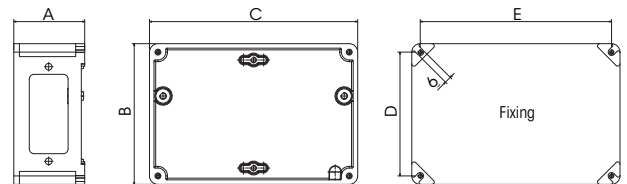


Codes	A (mm)	B (mm)
541050	22	M25
541055	18	M25
540180	51	M32
540190	69.5	M40
540193	51	M40
540195	80	M50

Compact socket-outlets module 92 - 16A

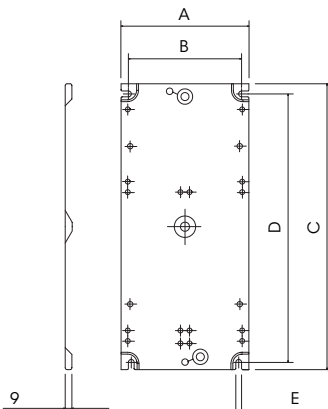


Compact boxes in aluminium alloy



Outer dimensions (mm)	A (mm)	B (mm)	C (mm)	D (mm)	E (mm)
125x92	42	92	125	78	111
125x125	63	125	125	111	111
185x125	63	125	185	111	171

Mounting plates for compact sockets



Codes	A (mm)	B (mm)	C (mm)	D (mm)	E (mm)
532876	125	97	558	530	10
532826	185	162	421	398	8



Palazzoli contributes to the Research
on Breast Cancer Immunotherapy

Customer focused operations

Smart engineering

Top manufacture

Service excellence



Palazzoli S.p.a
Via F. Palazzoli, 31 - 25128 Brescia - Italy
Tel. +39 030 2015.1
palazzoli.com



Palazzoli
SISTEMI ELETTRICI D'AUTORE